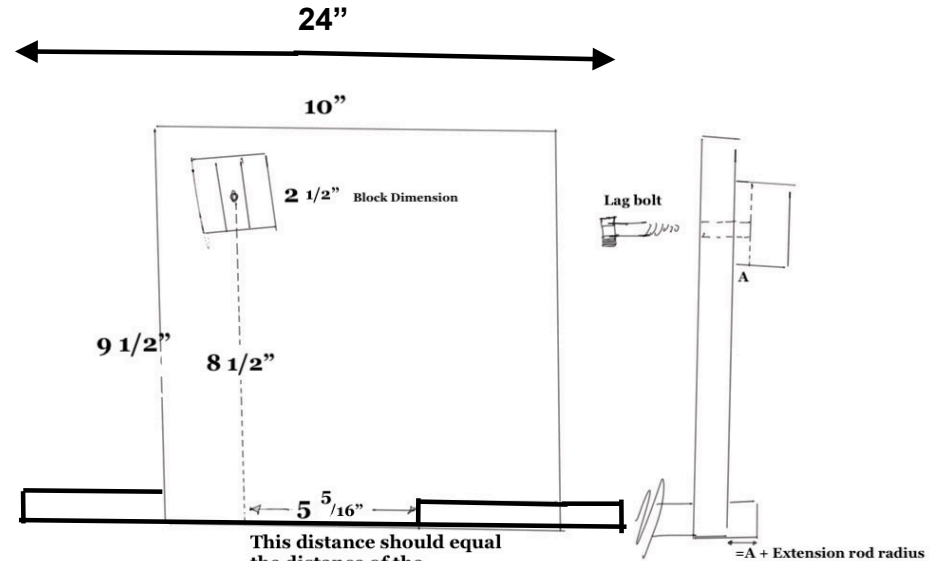
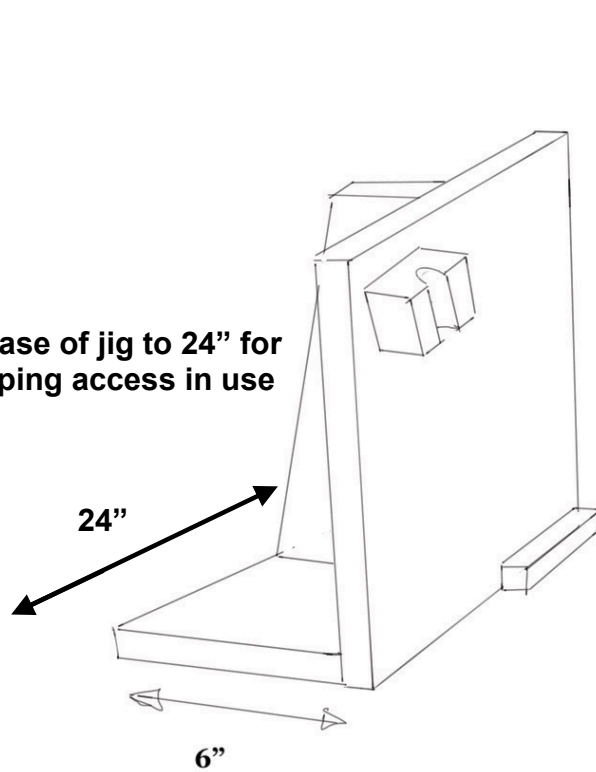


Lengthen base of jig to 24" for better clamping access in use



Drill Jig

This distance should equal the distance of the 0 degree point to the 32 degree point on the scale

Use with a 1/2" diameter rod and a motor shaft coupler to extend drill bit. Swivel block should rotate easily (drill larger hole for shank). See Foundations 1-3 video for instructions on use.

Be sure to print the scale at actual or %100